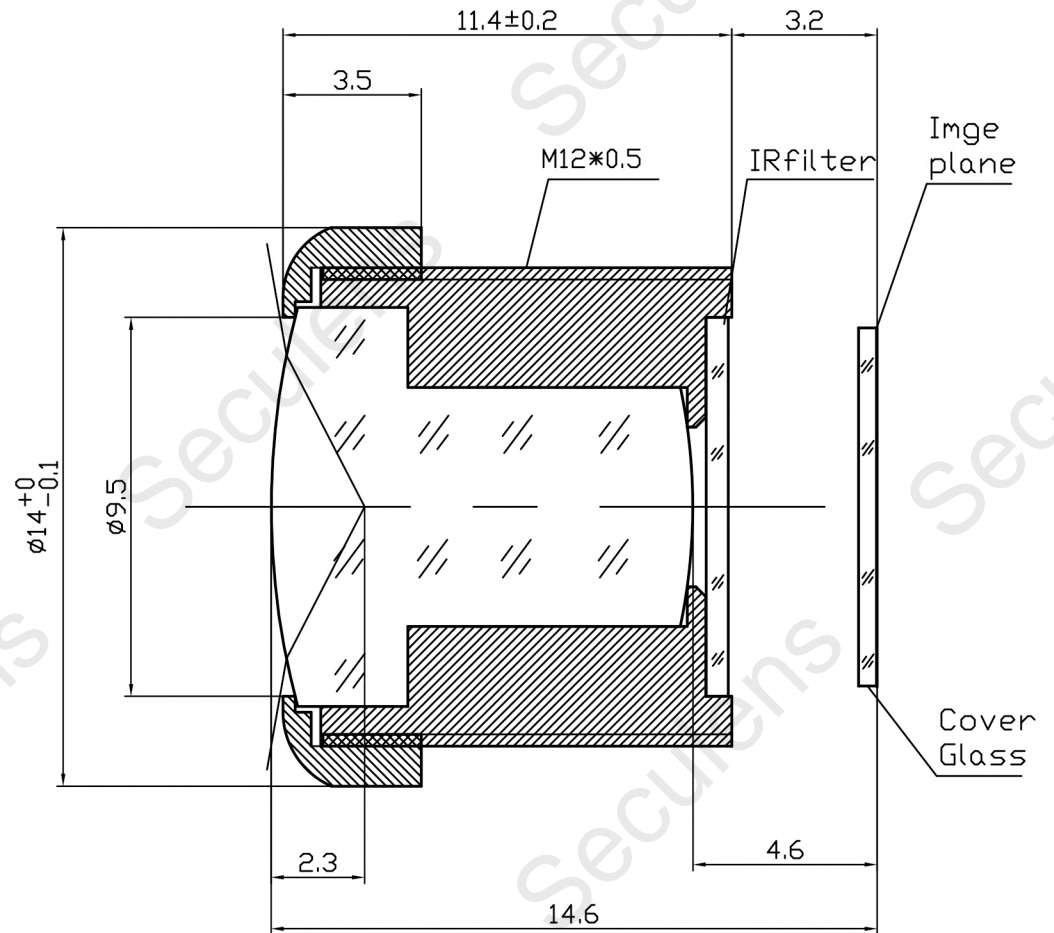


## SPECIFICATION:

1. SENSOR SIZE: 1/2.9"
2. WAVELENGTH: 400-700nm
3. FOCAL LENGTH:  $f=2.6\text{mm}\pm 5\%$
4. FLANGE BACK LENGTH:  $\text{BFL}=3.6\text{mm}\pm 5\%$
5. F/NO (INFINITE):  $F/\text{No}=2.8\pm 5\%$
6. FIELD OF VIEW:  $152^\circ(\text{D}); 130^\circ(\text{H}); 73^\circ(\text{V})$
7. OP DISTORTION:  $<-79.3\%$
8. CHIEF RAY ANGLE:  $<21.5^\circ$
9. LENS CONSTRUCTION: 4G+IR
10. THREAD SIZE: M12XP0.5-6g
11. Relative ILL: 32%
12. WORK TEMPERATURE:  $-40^\circ \sim 80^\circ$



深圳市创威时代光电有限公司  
Shenzhen ChuangWei Seculens CO., Ltd.

CUSTOMER		TITLE: LA-3009
MODEL:	REVISION:	MATERIAL: AL, GLASS
DRAWING NO.:		FINISHING:
DRN. /DATE:		SCALE: 8:1
CHK. /DATE:		PROJECTION:
APP. /DATE:		