

# CWZK 2.8MM 2831 Lens Specification

**NOTE:**

1.All surfaces are AR coated

2.IR Filter SPEC.

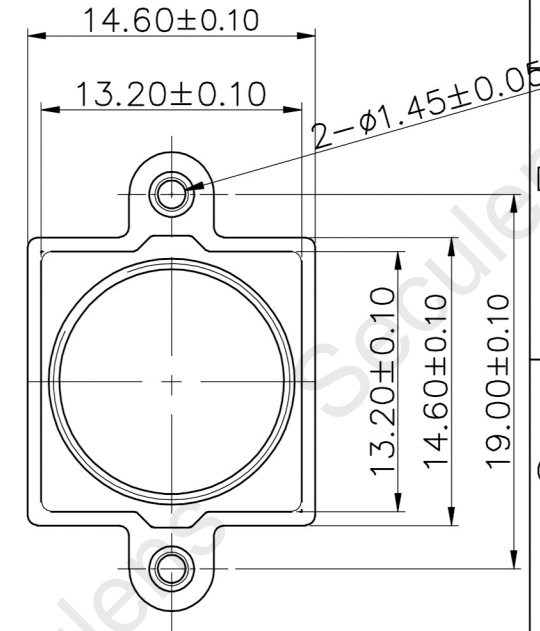
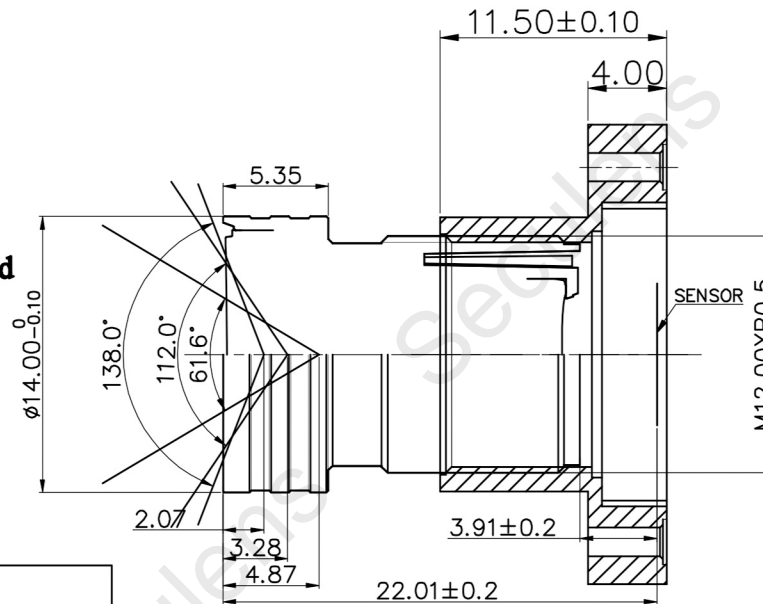
Tavg>=92% @440-630nm

Tmin>=88% @440-630nm

T=50% @ 650-670 nm

T<3% @ 710-1100nm

3.Material applied tally with ROHS standard



**SPECIFICATION**

Sensor Type	JX-F22(1/2.7")
Focal Length	2.95mm
Total Length	21.90mm
F/NO	2.0
Mechanical BFL	3.36
Optical FOV(D)	138°
Optical FOV(H)	112°
Optical FOV(V)	61.6°
TV DISTORTION	<-16%
Relative Illumination	>69%
Chief Ray Angle	<16.2°
Construction	1Glass+4Plastic+1 IR
Operation Temperature	-30°C ~ +70°C
Storage Temperature	-40°C ~ +85°C

REV	DISCRIPTION	NAME	DATE
1			
2			
3			
4			

	NAME	DATE
DRAWN		
CHECKED		
APPROVED		

创威中科 CWZK SECULENS
   
 深圳市创威时代光电有限公司
   
 Shenzhen ChuangWei Seculens CO., Ltd.

PART NAME	CWZK 2.8MM 2831
VIEW	
SCALE	5:1