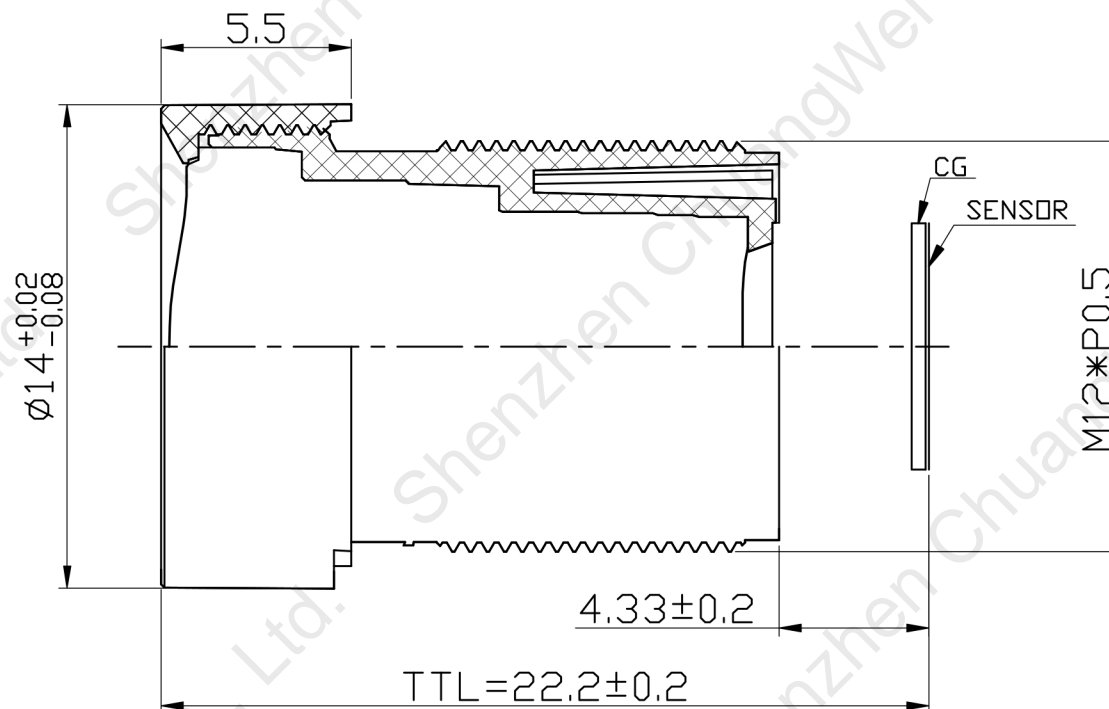






# CWZK-2809-A2 Specification



## SPECIFICATION

Sensor Type	<b>IMX307(1/2.8")</b>	<b>OV2710(1/2.7")</b>
Focal Length	2.8mm	
Total Length	<b>22.2mm</b>	
F/NO	<b>2.15</b>	
Mechanical BFL	<b>4.13mm</b>	
Optical FOV(D)	108.3°	114.9°
Optical FOV(H)	88.0°	92.1°
Optical FOV(V)	47.2	48.8°
TV Distortion	<-11.7%	<-13.0%
Relative Illumination	>52%	>48%
Chief Ray Angle	<13.8°	<14.3°
Construction	1 Glass+3Plastic+1 IR	

REV	DISCRIPTION	NAME	DATE		NAME	DATE
1						
2				DRAWN		
3				CHECKED		
4				APPROVED		

  创威中科 CWZK SECULENS 深圳市创威时代光电有限公司	
PART NAME	<b>CWZK-2809-A2</b>
VIEW	 
SCALE	5:1