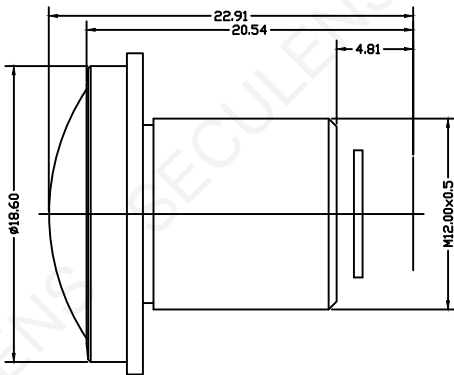


sensor type	1/2.5"	
focal length	2.5	
Total length	22.9	
FNo	2.7	
mechanical BFL	4.8	
optical FOV (D)	175°	140° (1/2.5")
optical FOV (H)		
optical FOV (V)		
TV distortion	xx%	
relative illumination	70%	
Chief Ray Angle	17°	
construction	6G	
operation temperature	-40° C- 80° C	
storage temperature	-40° C- 80° C	
AR coating	yes	
IR filter	yes	

Lens Specification



Fisheye Lens 2477 1.7mm SMP 1/2.5"



版本	描述	姓名
制图		
审核		
确认		
比例	第 张	共 张

品 名	2477
-----	------