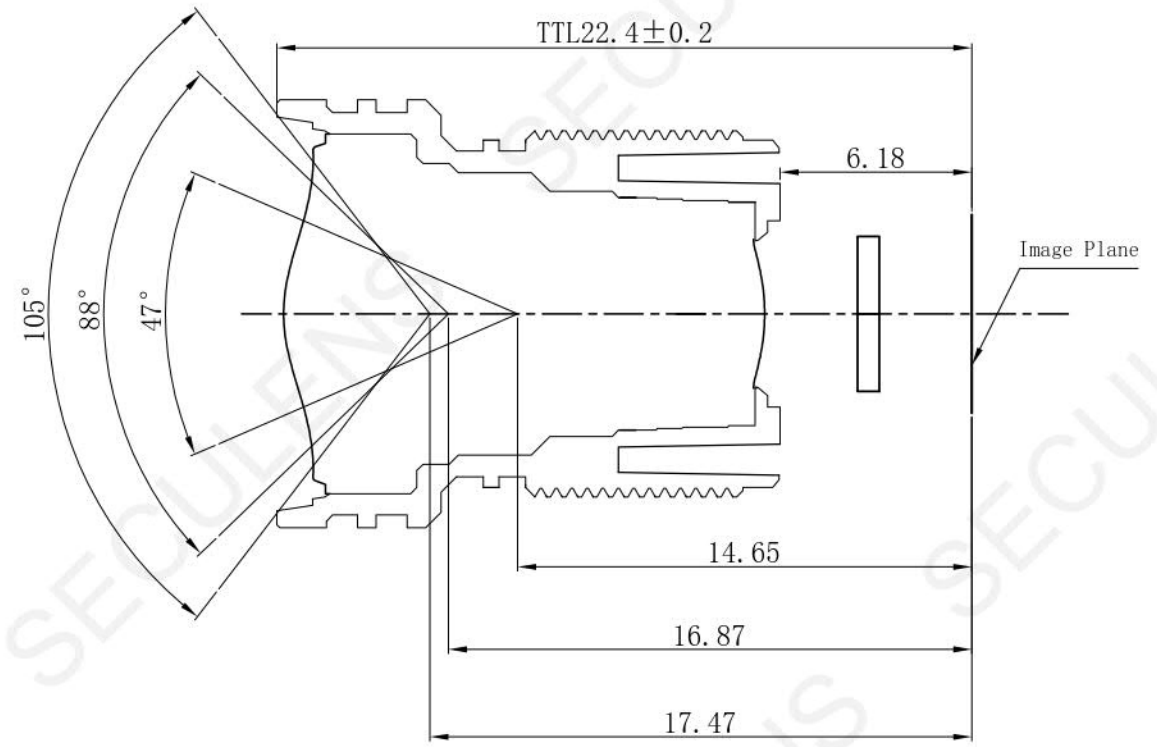


REV.	ECD#	CHANGED BY	DATE	DESCRIPTION OF CHANGE
1				

SPECIFICATION

NO.	ITEM	CONTENT	
1	SENSOR	1/2.7"	
2	T.T.L	22.4±0.2	
3	E.F.L	4.0±5%	
4	B.F.L	6.18±0.1	
5	F/No.	1.6±5%	
6	STRUCTURE	1G+4P	
7	Chief ray angle	< 18°	
8	F.O.V	DIAGONAL	105°±3°
		HORIZONTAL	88°±2°
		VERTICAL	47°±2°
9	RELATIVE ILLUMINATION	≥48%	
10	TV DISTORTION	-19%	
11	MAX IMAGE CYCLE	≥Ø6.9	



UNLESS OTHERWISE, DIMENSIONS ARE IN MILLIMETERS, TOLERANCES ARE 0-3mm ±0.05mm 3-30mm ±0.05mm 30-120mm ±0.10mm ANGLE ±0.5°	DO NOT SCALE DRAWING DO NOT MANUALLY UPDATE SIZE AND BREAK SHARP EDGES		<b>深圳市创威时代光电有限公司</b> Shenzhen ChuangWei Seculens CO., Ltd.		
	APPROVAL LIU	DATE 2022-01-20	DWG NO. 1296	REV. 1	
MATERIAL FINISH WEIGHT	CHECK PAN 2022-01-20	FIRST USED ON XXX-XXXX-XXX			