



深圳市创威时代光电有限公司  
Shenzhen ChuangWei Seculens CO., Ltd.

# 产品规格书

## Product Specification

型号:  
(Model Name) : YT10100-HD+H59+IR0717

---

编码:  
(Part No.) : 01.10100.018.02

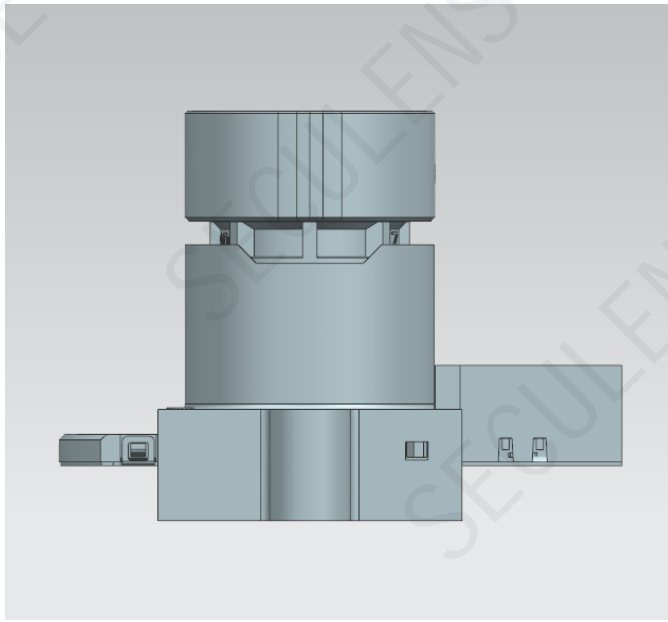
---

客户名称:  
(Customer Name):

---

客户编码:  
(Customer Part No.):

---



图片仅供参考  
(picture only for your reference)

## 产品规格书目录 (Table of Content)

1 封面(Title Page).....	1
2 目录(Table of Content).....	2
3 变更履历(Revision history).....	3
4 概要(Outline)	
4.1 应用范围(Application).....	4
5 主要参数(Main Items)	
5.1 光学参数规格(Optical Specifications).....	4
5.2 机构参数规格(Mechanical Specifications).....	5
5.3 IR-CUT参数规格(IRCUT Specification).....	6
5.4 光学检测标准(Optical Performance).....	7
5.5 环境参数规格(Environment Specifications) .....	7
6 信赖性测试(Reliability Test).....	8
7 镜头包装样式书(Lens Package Standard) .....	9

## 4.概要 (Outline)

### 4.1 应用范围 (Application)

适用于我司向贵司提供的镜头产品(The below datasheet is only suit to CWZK products.)

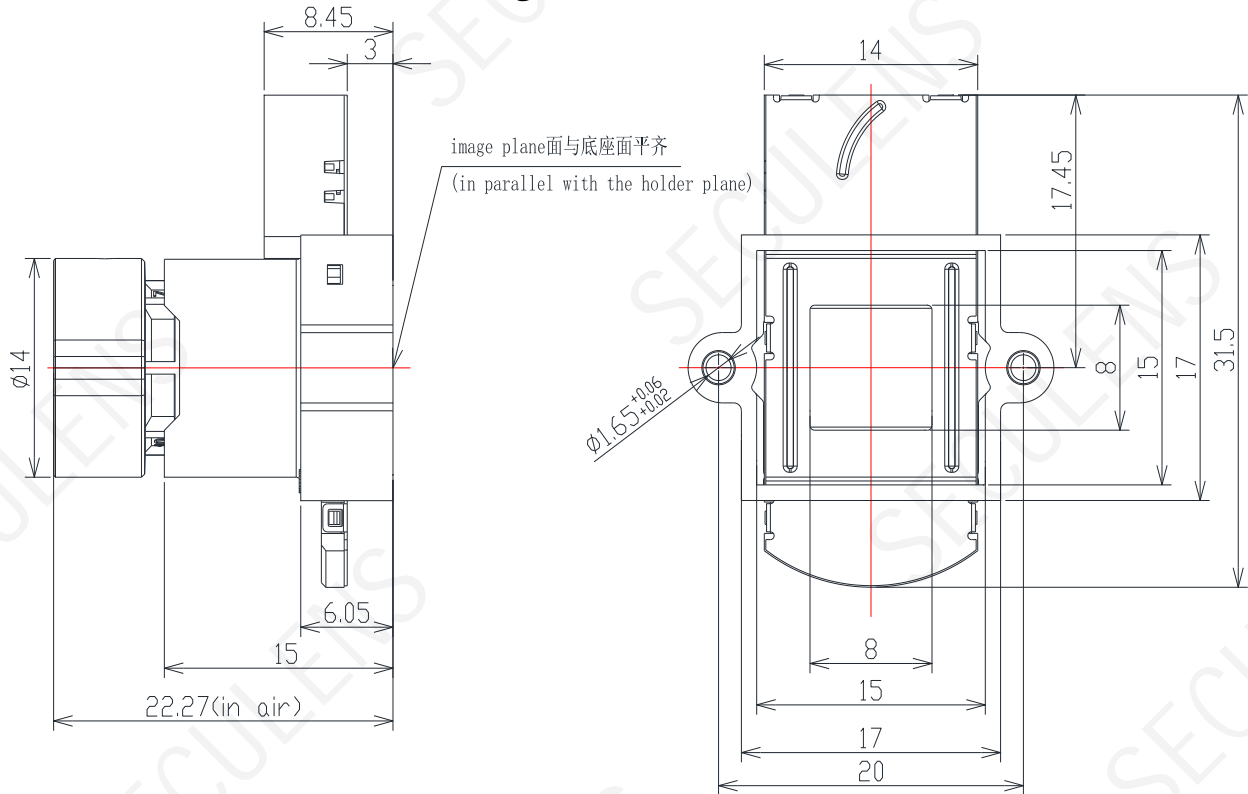
## 5 主要参数 (Main Items)

### 5.1 光学参数规格 (Optical Specifications)

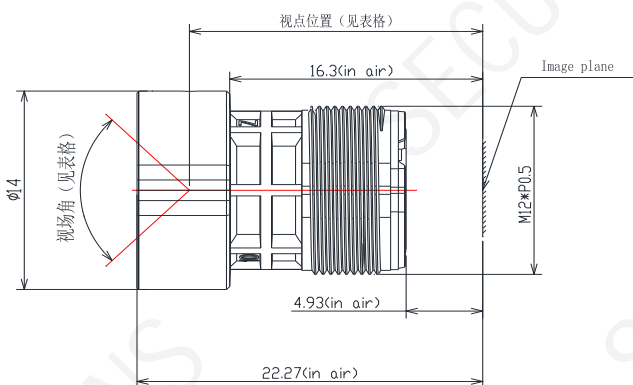
NO.	项目 (Items)	具体规格 (Specification)					
1	F No.	2.2±10%					
2	焦距(Focal-Length)	3.3 ±5%					
3	光学后焦 (Optical Back Focal Length)	5.3±0.1 (in air)					
4	机械后焦 (Mechanical Back Focal Length)	4.93±0.2 (in air)					
5	镜头总长(TTL)	22.27 ±0.2 (in air)					
6	像面大小 (Image circle)	Φ6.9 (MAX)					
7	镜片构成 (Lens structure)	1G3P (第一枚镜片为塑胶镜片时, 仅可使用酒精擦拭3次) (The first optical lens is plastic lens, could only be wiped with alcohol 3 times)					
8	接口 (Mount)	M12*P0.5					
9	镜头与底座螺纹配合扭力 (Clamp Force)	60-600gf.cm					
10	视场角(FOV)	sensor型号	H(水平)	V(垂直)	D(对角)		
		1/2.7"(16:9)	102.0°	54.7°	124.4°		
		1/2.8"(16:9)	97.8°	52.9°	117.9°		
		1/3.2"(16:9)	82.8°	44.2°	97.3°		
11	○光学畸变 (Optical Distortion)	1/2.7"	-48.0%	1/2.8"	-43.0%	1/3.2"	-27.4%
12	相对亮度 (Relative Illumination)	1/2.7"	47%	1/2.8"	49%	1/3.2"	62%
13	最大主光线夹角 (CRA)	1/2.7"	17.2°	1/2.8"	16.6°	1/3.2"	14.5°
14	近摄距 (M.O.D)	800mm					
15	解像标准 (Resolution)	分辨率 (Resolution): 1920*1080 (2MP)					
16	重量 (Weight)	/					
17	操作方法 (Operation)	聚焦 (Focus)			手动 (Manual)		
		光圈 (Iris)			固定 (Fixed)		
18	环保&安全 (HSF&Safety)	RoHS					

## 5.2 机构参数规格 (Mechanical Specifications)

### 5.2.1 外形尺寸图 (Dimension Figure)



### 5.2.2 视点图 (Viewpoint Figure)



像面大小mm (image Size)		Dfov	视点位置(mm) (viewpoint position)
<1/2.7*以下sensor> (sensor format<1/2.7*)	Ø4.41	75.1°	17.39
	Ø5.6	98.4°	18.36
	Ø6.0	107.5°	18.75
	Ø6.17	111.8°	18.94
	Ø6.39	117.8°	19.20
	Ø6.61	124.4°	19.49
	Ø6.9	135.0°	19.97

未注公差(Unmarked Tolerance):  $\Phi \pm 0.1$ ,  $L \pm 0.15$

本规格书未注单位(Unit is not indicated in the document.): mm

### 5.3 IR-CUT参数规格(IR0717) (IRCUT Specification)

NO	项目ITEM	条件Condition	单位Unit	标准Standard
1	产品外形尺寸(Product size)	装配外形(Assembly exterior)	mm	31.5*13.9*1.7
2	开放口径(Openning Aperture)	-	mm	7*7
3	线长(Wire Length)	-	mm	70±5
4	线圈阻抗(Coil Resistance)	20°C	Ω	60±10%
5	通电电压(Electric voltage)	参照环境参数规格Refer to the environmental parameter specifications	V	6~12
6	通电时间(Electric time)	参照环境参数规格Refer to the environmental parameter specifications	ms	100~200
7	推荐驱动条件(Recommend Driving Condition)	参照环境参数规格Refer to the environmental parameter specifications	-	端口电压Port voltage: 6V驱动秒时Driving time: 100ms

备注：产品通正反向电压，通断电时间为：通电100ms~200ms，断电30s~60s，不通电时滤光片保持不动。

Note: Positive and negative voltage. Time: power on 100ms ~200ms, power off 30s-60s. Filter does not move when power is off

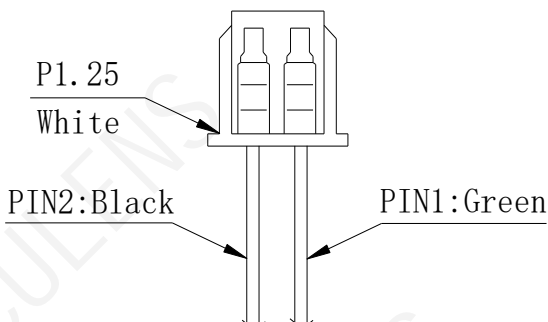
红外波光片 (IR Filter)	尺寸 (Size)	8.2mm*7.6mm*0.21mm
	镀膜规格 (Coating Spec)	350nm~380nm Tave<3%
		420nm±10nm T=50% 斜率20%-80%<20nm
		440nm~600nm T>85%, Tave>93%
		645nm±10nm T=50%, 斜率80%-20%<20nm
		680nm T<5%
700nm~950nm Tave<1% T<1%		
白片波光片 (Dummy Glass)	尺寸 (Size)	8.2mm*7.6mm*0.21mm
	镀膜规格 (Coating Spec)	420nm~950nm T>92% Tave>96%

#### 切换模式(Switch type)

区分 Distinction	黑线Black line	绿线Green line	状态State
极性Polarity	(+)	(-)	白玻璃片工作 (夜晚) Dummy glass work
	(-)	(+)	红外滤光片工作 (白天) IR Filters work

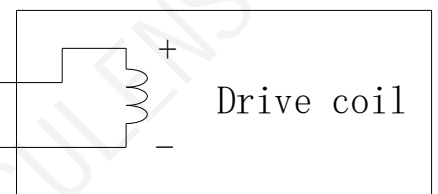
端子定义terminal:

接线示意图wiring diagram:



PIN NO.

2	Black
1	Green



#### 5.4 光学检测标准 (Optical Performance)

No.	检测项目 (Items)	描述 (Description)
1	解像力 (Resolution)	1.1: TV实拍解像条件 (Condition) A:Chart:社内实拍chart B:拍摄距离(Distance): 1.13m 1.2: 拍摄方法(Method) A:旋转镜头调焦得到最清晰的像面中心(Adjust the machine interface to get the most clear image plane center) 1.3: 拍摄标准(Criteria) 2MP: 中心: 160 线条清晰; 0.7Y:120 线条清晰; 0.9Y: 70 线条清晰 center:160 line clear;0.7Y:120 line clear;0.9Y: 70 line clear
2	外观标准 (Appearance Standards)	2.1镜头内污 (LENS DUST) A:规格 60-40 伤痕: 宽度 <60um, 长度和 <D/2, ≤15um不计; 脏污: 单点直径 <200um,100~200um点 ≤3个。 2.2其他外观(Other appearance) 外表面颜色均匀, 无明显缺陷、污渍、异物伸出、明显划伤和收缩; 胶水不得溢入有效通光内。 2.1 LENS DUST A: Specification 60-40 Scratch: width<60um, total length<D/2, ≤15um ignored; Smudge: Single dot diameter <200um,100~200um dot ≤3 pcs 2.2 Other appearance Outside surface uniform color; no visible flaws, stains, foreign bodies extended, obvious scratch or contraction; no glue spill into the effective aperture.

#### 5.5 环境参数规格 (Environment Specifications)

No.	环境描述 (Items)	条件(Description)
1	存放环境 (Storage condition)	-30°C~+80°C; 10-90%RH (No condensing)
2	工作环境 (Operation condition)	-20°C~+60°C; 10-90%RH (No condensing)

## 6 信赖性测试( Reliability Test)

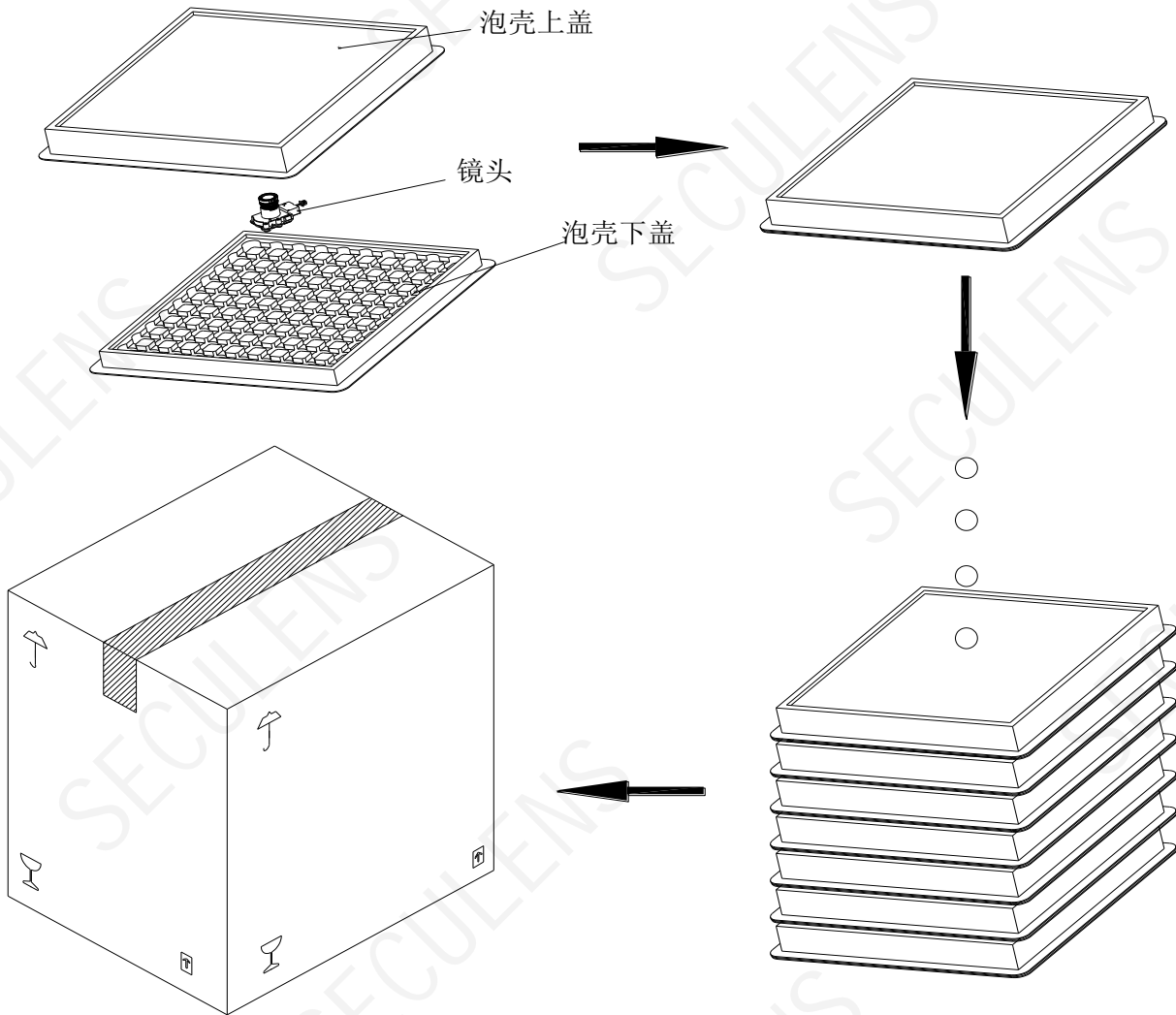
No.	项目 (ITEM)	测试条件 (CONDITION)
1	高温存放试验 Storage Test At High Temperature	镜头在80℃温度中存放48小时，之后再存放在常温常湿环境中恢复6小时后，所有规格满足规定要求 All specification are to be satisfied after lens is exposed to 80℃ for 48 hours and then to normal temperature/humidity for 6 hours
2	低温存放试验 Storage Test At Low Temperature	镜头在-30℃温度中存放48小时，之后再存放在常温常湿环境中恢复6小时后，所有规格满足规定要求 All specification are to be satisfied after lens is exposed to -30℃ for 48 hours and then to normal temperature/humidity for 6 hours
3	冷热冲击试验 Temperature Cycle Test	镜头在-30℃条件下保持30分钟，然后升温至+80℃，稳定后保持30分钟作为一个周期，共10个周期。之后再存放在常温常湿环境中恢复6小时后，所有规格满足规定要求 All specification are to be satisfied after lens is exposed to -30℃ for 30min, Tank temperature change +80℃ for 30min as one cycle, 10 cycle shall be performed. And then to normal temperature/humidity for 6 hours
4	振动试验 Vibration Test	镜头在振幅为1.5mm、频率为10-55Hz的正弦波参数下，在三个互相垂直的轴线上依次振动25分钟后，镜头无松动并满足所有规格要求 All specification are to be satisfied after lens is subjected to the sine wave of 1.5mm amplitude and 10-55Hz directions for 25 minutes each



## 7 包装规格 (Package)

1. 镜头盖上镜头盖后，放入泡壳。

2. 盖上泡壳上盖，泡壳上贴标示票。



4. 密封胶带，箱子外面贴标示票。

3. 装满镜头的泡壳抽真空后重叠放入纸箱。

※ 注：包装纸箱可根据客户订单灵活选用，以上包装以纸箱（320\*240\*490）包装示例

数量：

待定 PCS/盒

待定 盒/箱

待定 PCS/箱